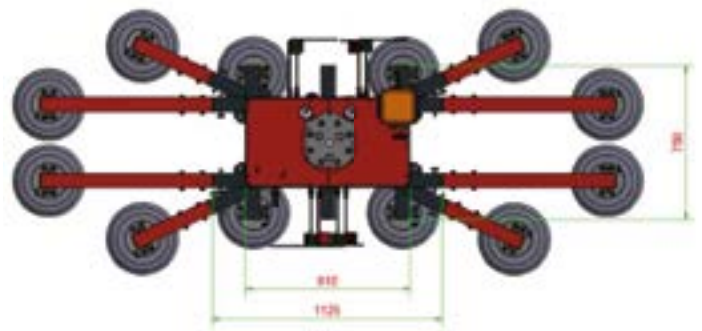
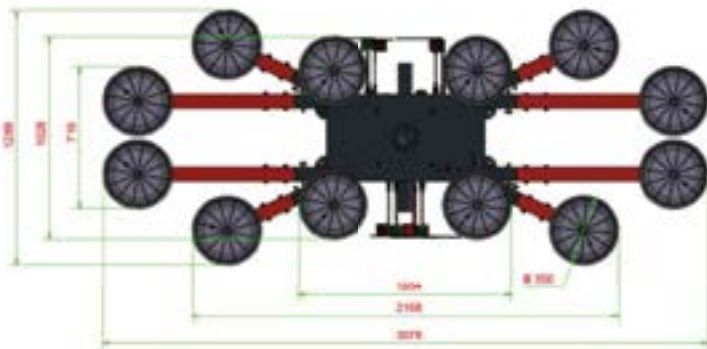


# Vacuum cup UPG1200

Vacuum technology | Uplifter



Load capacity	1.200 kg
Suction disc quantity	12 Pieces
Suction plate Diameter	Ø 350 mm
Curved discs	
Lowering cylinder	
Radio remote control	
Dead weight max.	190,0 kg
Length max./min.	3,08/1,01 m
Wide max./min.	1,28/0,71 m
Inclination angle	90°
Rotatability	120° electric
Operating time	approx. 8.0 hours



Interesting **video with areas** of application can be found on **YouTube**.

**Instruction video** Subscribe to our channel to learn more about the possibilities of our machines. From **instruction videos** to construction site applications, it's all here.

**TIP**

The vacuum cross on the GW1125 can be quickly dismantled and also used individually by means of a tilt adapter!